



ELECTRONICS, INC.
 44 FARRAND STREET
 BLOOMFIELD, NJ 07003
 (973) 748-5089

NTE3020 thru NTE3024 Light Emitting Diode (LED)

Description:

The NTE3020 through NTE3024 LEDs offer a variety of lens effects and color availability. The Red (NTE3020) source color device is made with Gallium Arsenide Phosphide on Gallium Arsenide Red Light Emitting Diode. The High Efficiency Red (NTE3022) and Orange (NTE3023) source color devices are made with Gallium Arsenide Phosphide on Gallium Phosphide Orange Light Emitting Diode. The Green (NTE3024) source color device device is made with Gallium Phosphide on Gallium Phosphide Green Light Emitting Diode. The Yellow (NTE3021) source color device is made with Gallium Arside Phosphide on Gallium Phosphide Yellow Light Emitting Diode.

Features:

- Low Power Consumption
- High Efficiency
- IC Compatible/Low Current Requirements
- Versatile mounting on P.C. board or panel
- Reliable and Rugged

Absolute Maximum Ratings: ($T_A = +25^{\circ}C$ unless otherwise specified)

Power Dissipation, P_D	
NTE3020	80mW
NTE3021	60mW
NTE3022	100mW
NTE3023	100mW
NTE3024	100mW
Peak Forward Current (1/10 Duty Cycle, 0.1ms Pulse Width), $I_{F(Peak)}$	
NTE3020	200mA
NTE3021	80mA
NTE3022	120mA
NTE3023	120mA
NTE3024	120mA

Absolute Maximum Ratings (Cont'd): ($T_A = +25^\circ\text{C}$ unless otherwise specified)

Continuous Forward Current, I_F

NTE3020	40mA
Derate Linearly Above 25°C	0.5mA/ $^\circ\text{C}$
NTE3021	20mA
Derate Linearly Above 25°C	0.25mA/ $^\circ\text{C}$
NTE3022	30mA
Derate Linearly Above 25°C	0.4mA/ $^\circ\text{C}$
NTE3023	30mA
Derate Linearly Above 25°C	0.4mA/ $^\circ\text{C}$
NTE3024	30mA
Derate Linearly Above 25°C	0.4mA/ $^\circ\text{C}$

Reverse Voltage, V_R 5V

Operating Temperature Range, T_A -55° to $+100^\circ\text{C}$

Storage Temperature Range, T_{stg} -55° to $+100^\circ\text{C}$

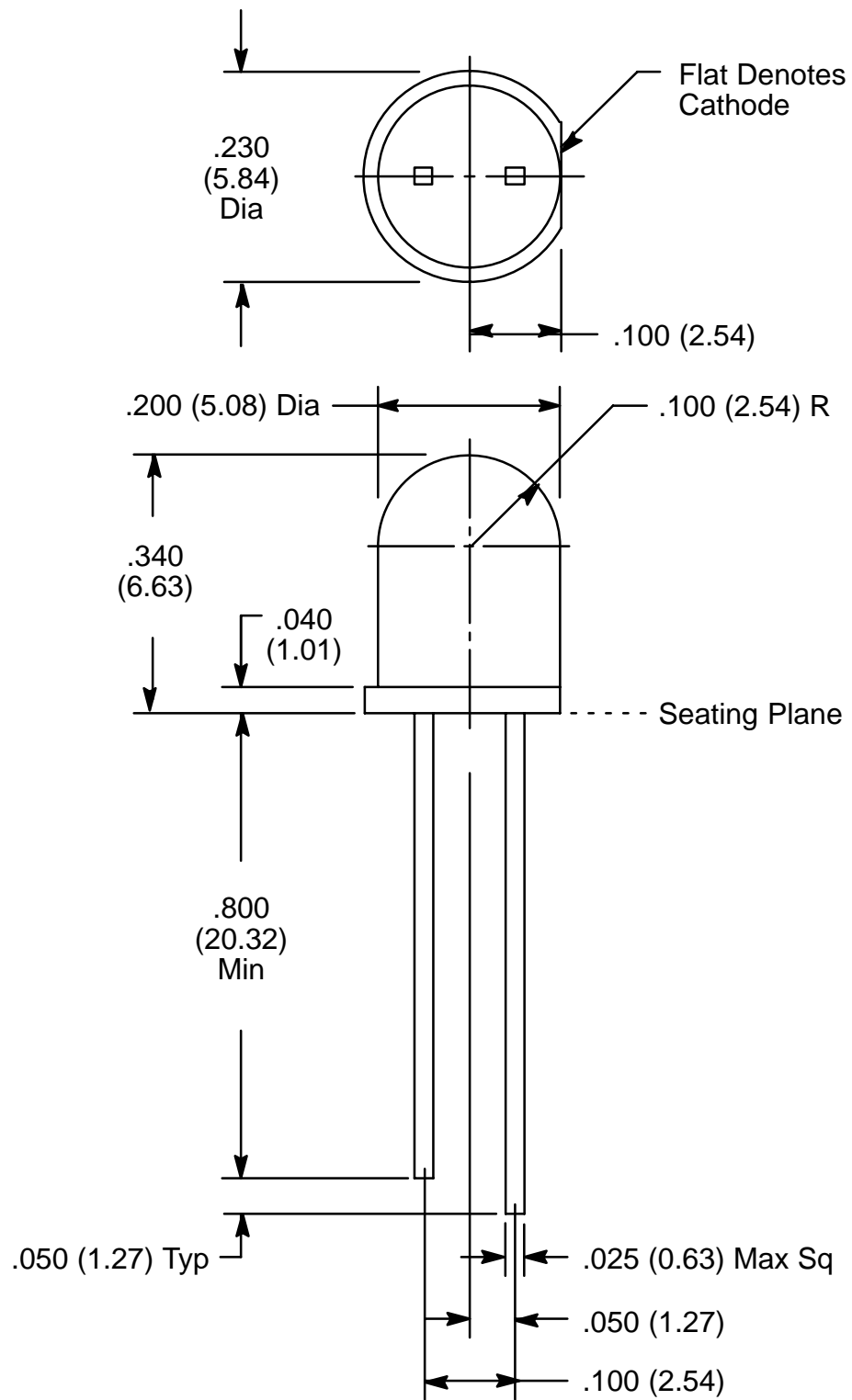
Lead Temperature (During Soldering, .063 in. (1.6mm) from Body for 5sec), T_L $+260^\circ\text{C}$

Electrical/Optical Characteristics: ($T_A = +25^\circ\text{C}$ unless otherwise specified)

Parameter	Symbol	Test Conditions	Min	Typ	Max	Unit
Luminous Intensity NTE3020 All Other Devices	I_V	$I_F = 10\text{mA}$, Note 1	0.3 2.5	0.8 8.7	— —	mcd
Viewing Angle	$2\theta^{1/2}$	Note 2	—	36	—	deg.
Peak Emission Wavelength NTE3020 NTE3021 NTE3022, NTE3023 NTE3024	λ_P		— — — —	655 585 635 565	— — — —	nm
Spectral Line Half Width NTE3020 NTE3021 NTE3022, NTE3023 NTE3024	$\Delta\lambda$		— — — —	24 35 40 30	— — — —	nm
Forward Voltage NTE3020 NTE3021 NTE3022 NTE3023 NTE3024	V_F	$I_F = 20\text{mA}$	— — — — —	1.7 2.1 2.0 2.0 2.1	— 2.8 — 2.8 —	V
Reverse Current	I_R	$V_R = 5\text{V}$	—	—	100	μA
Capacitance NTE3020 NTE3021 NTE3022, NTE3023 NTE3024	C	$V_F = 0$, $f = 1\text{MHz}$	— — — —	30 15 20 15	— — — —	pF

Note 1. Luminous intensity is measured with a light sensor and filter combination that approximates the CIE (Commission Internationale De L'Eclairage) eye-response curve.

Note 2. $\theta^{1/2}$ is the off-axis angle at which the luminous intensity is half the axial luminous intensity.



Tolerance $\pm .010$ (.254)